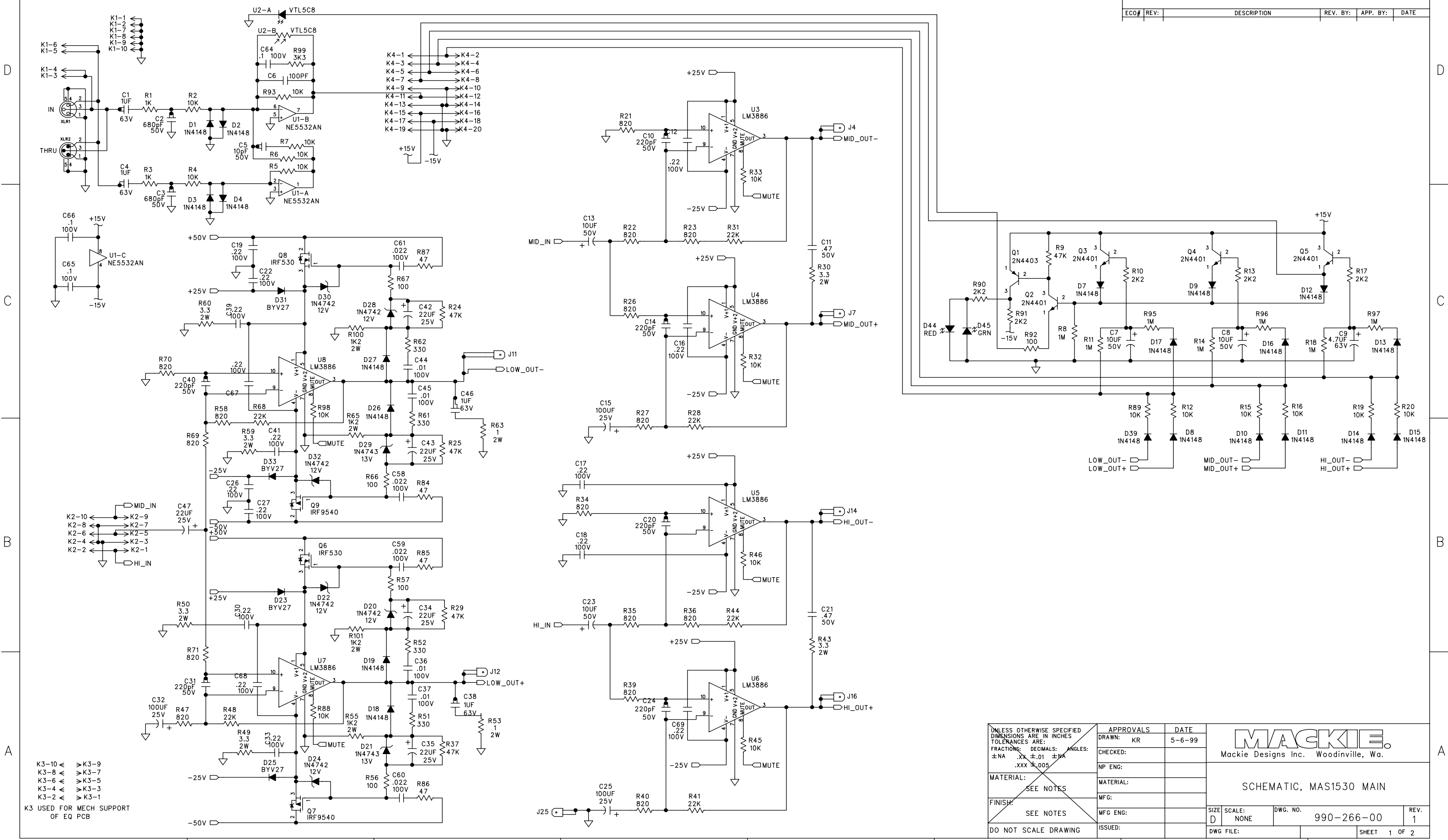


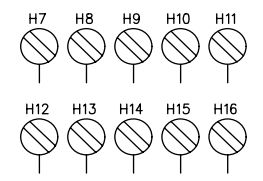
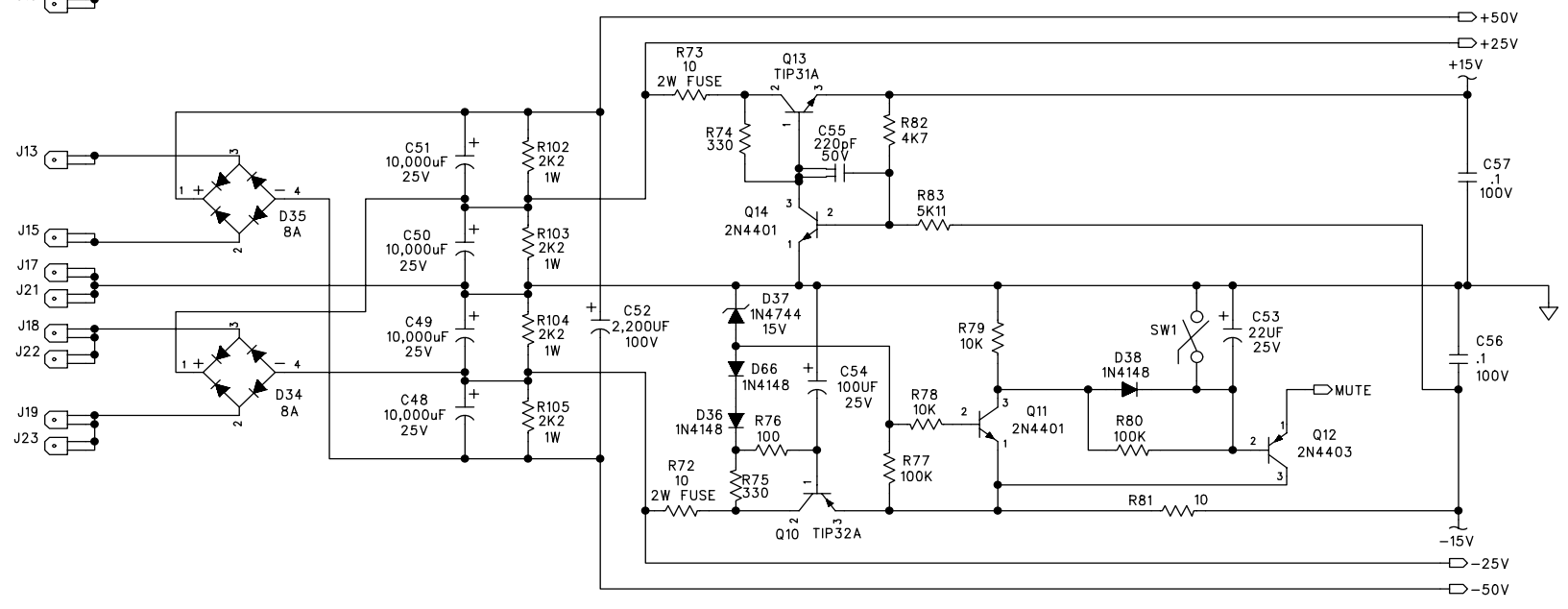
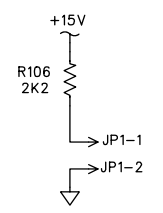
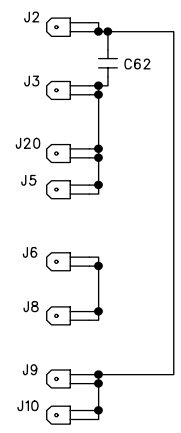
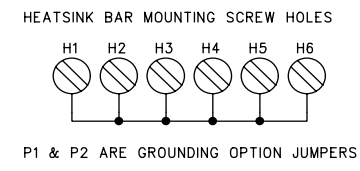
ECO#	REV:	DESCRIPTION	REV. BY:	APP. BY:	DATE
------	------	-------------	----------	----------	------



K3-10 <-> K3-9  
 K3-8 <-> K3-7  
 K3-6 <-> K3-5  
 K3-4 <-> K3-3  
 K3-2 <-> K3-1  
 K3 USED FOR MECH SUPPORT OF EQ PCB

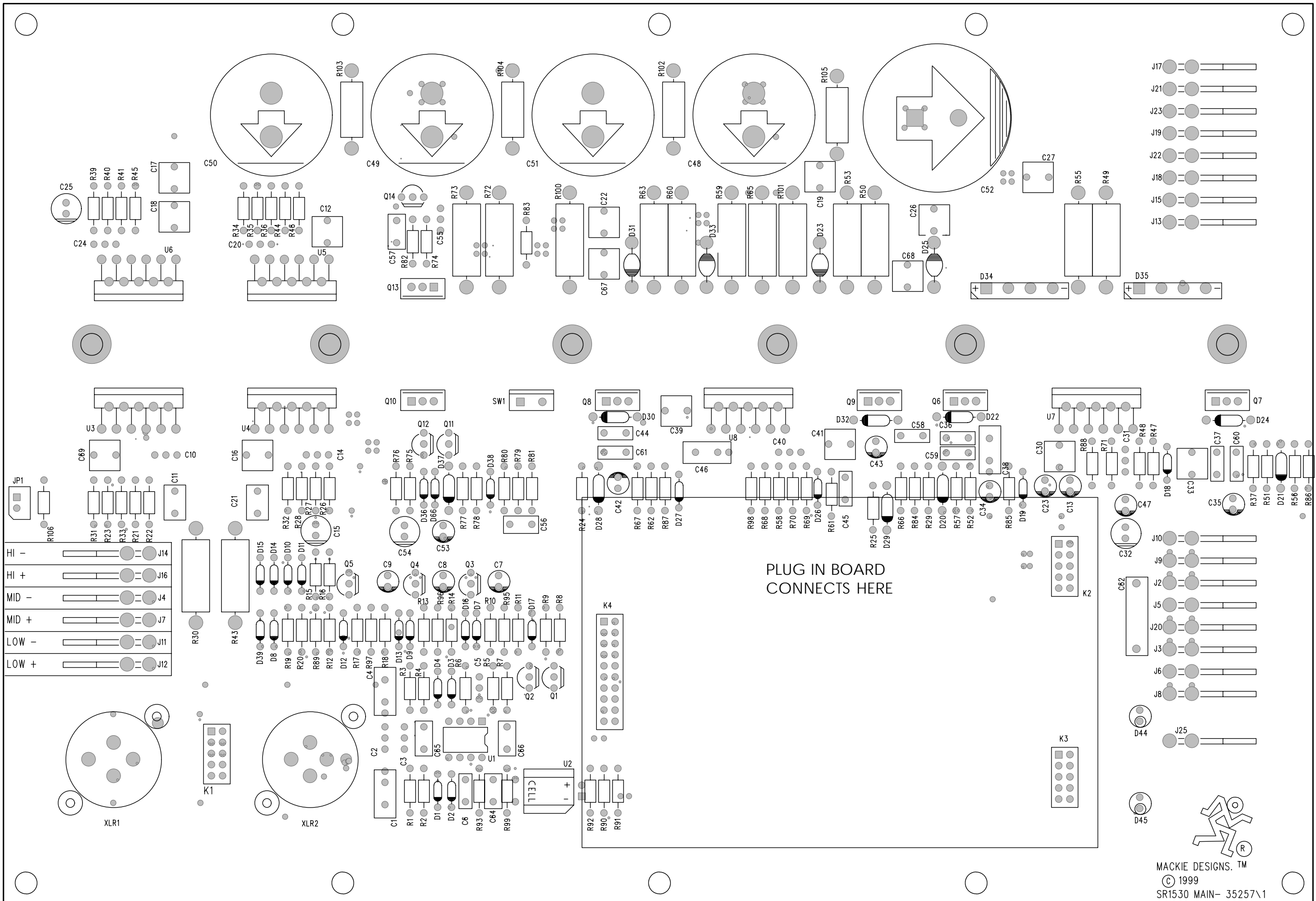
UNLESS OTHERWISE SPECIFIED DIMENSIONS ARE IN INCHES TOLERANCES ARE: FRACTIONS: DECIMALS: ANGLES: ±NA .XX ±.01 ±MA .XXX ±.005	APPROVALS	DATE
	DRAWN: KR	5-6-99
	CHECKED:	
	NP ENG:	
MATERIAL:	MATERIAL:	
SEE NOTES	MFG:	
FINISH:	MFG ENG:	
DO NOT SCALE DRAWING	ISSUED:	

 Mackie Designs Inc. Woodinville, Wa.		SCHEMATIC, MAS1530 MAIN	
		SIZE: D	SCALE: NONE
DWG. NO. 990-266-00		REV. 1	
DWG FILE:		SHEET 1 OF 2	

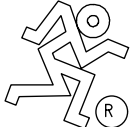


450-266-00  
PCB, MAS1530 MAIN

UNLESS OTHERWISE SPECIFIED DIMENSIONS ARE IN INCHES TOLERANCES ARE: FRACTIONS: DECIMALS: ANGLES: ±NA .XX ±.01 ±MA .XXX ±.005	APPROVALS	DATE	 Mackie Designs Inc. Woodinville, Wa.
	DRAWN:		
MATERIAL: SEE NOTES	CHECKED:		SCHEMATIC, MAS1530 MAIN
	NP ENG:		
FINISH: SEE NOTES	MATERIAL:		SIZE: D SCALE: NONE DWG. NO. 990-266-00 REV. 1 DWG FILE: SHEET 2 OF 2
	MFG:		
DO NOT SCALE DRAWING	MFG ENG:		
	ISSUED:		

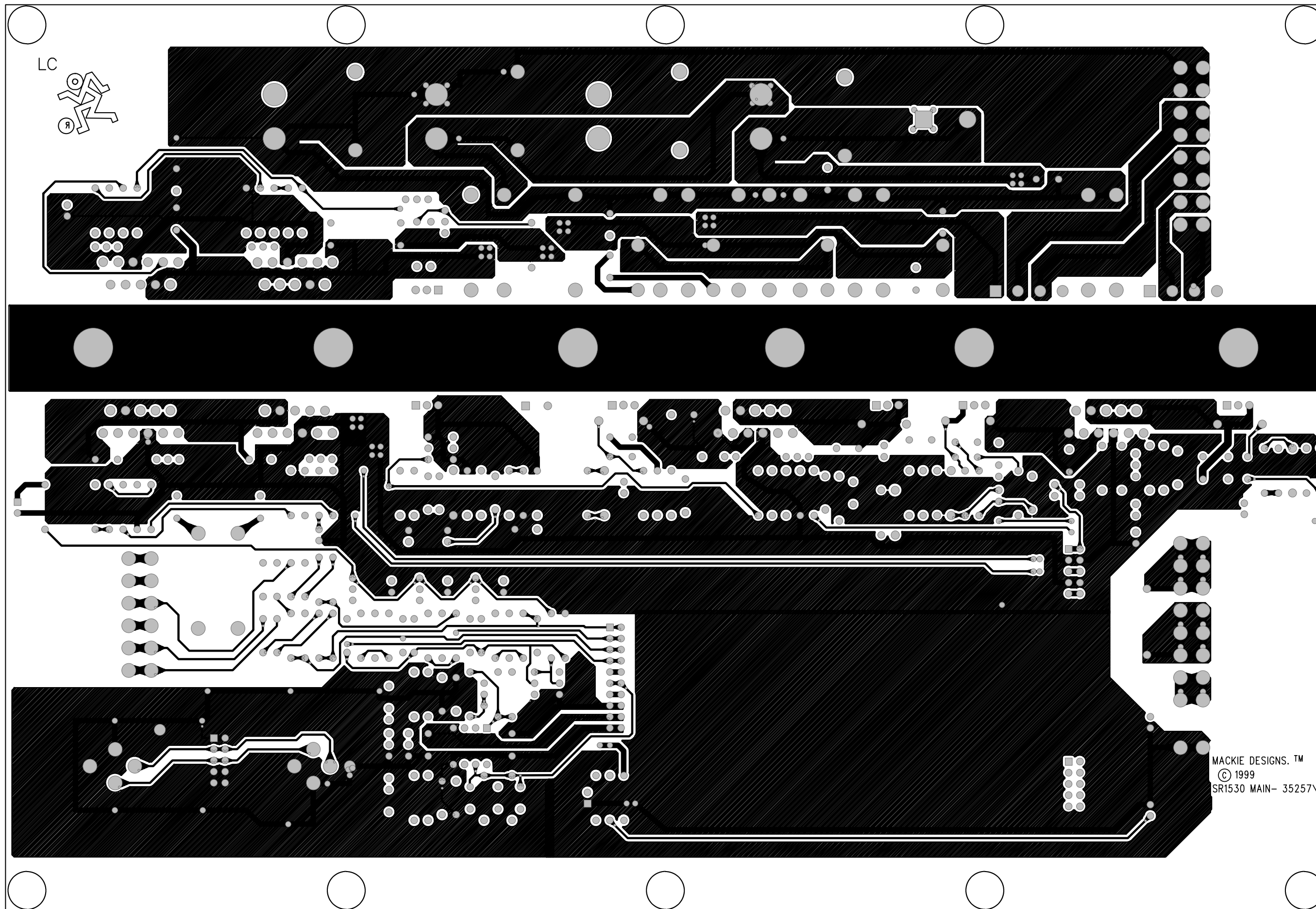


PLUG IN BOARD  
CONNECTS HERE



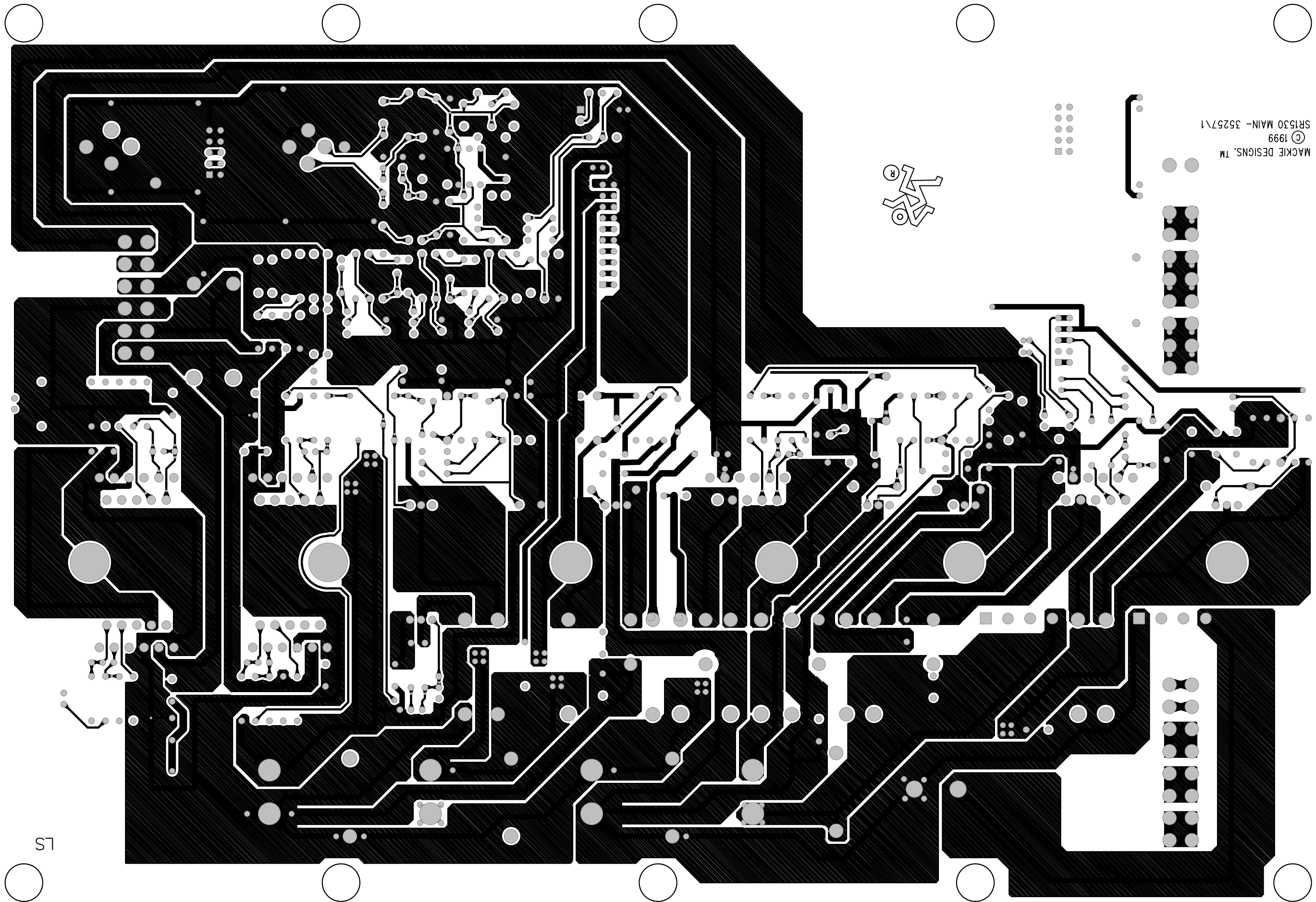
MACKIE DESIGNS.™  
© 1999  
SR1530 MAIN- 35257\1

TOP OF BOARD



MACKIE DESIGNS.™  
© 1999  
SR1530 MAIN- 35257\1

BOTTOM OF BOARD



SR1530 MAIN - 35257\1  
© 1999  
MACKIE DESIGNS, TM

R

S1